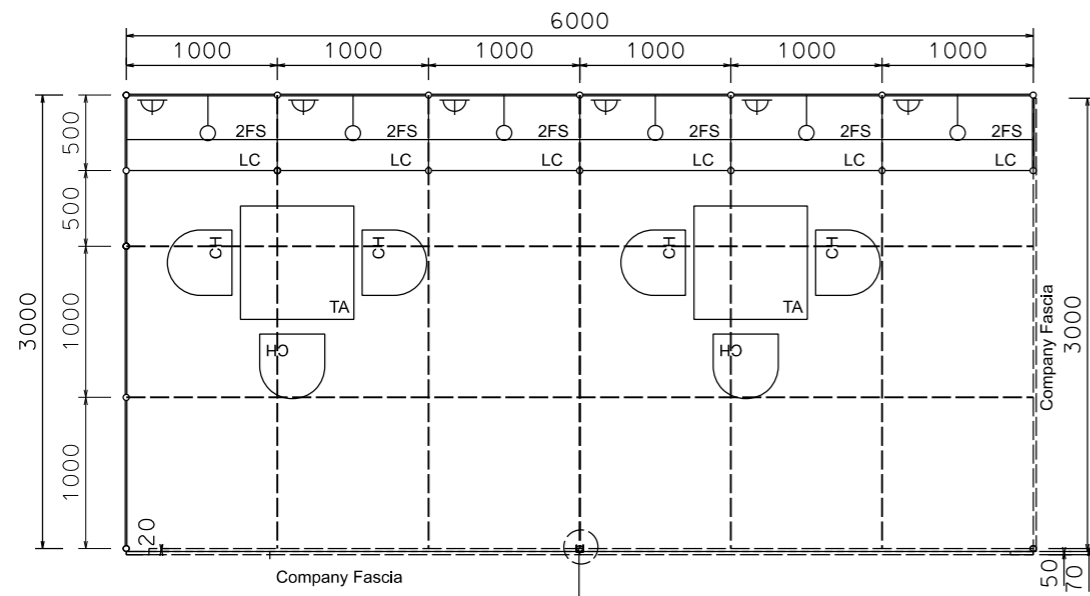
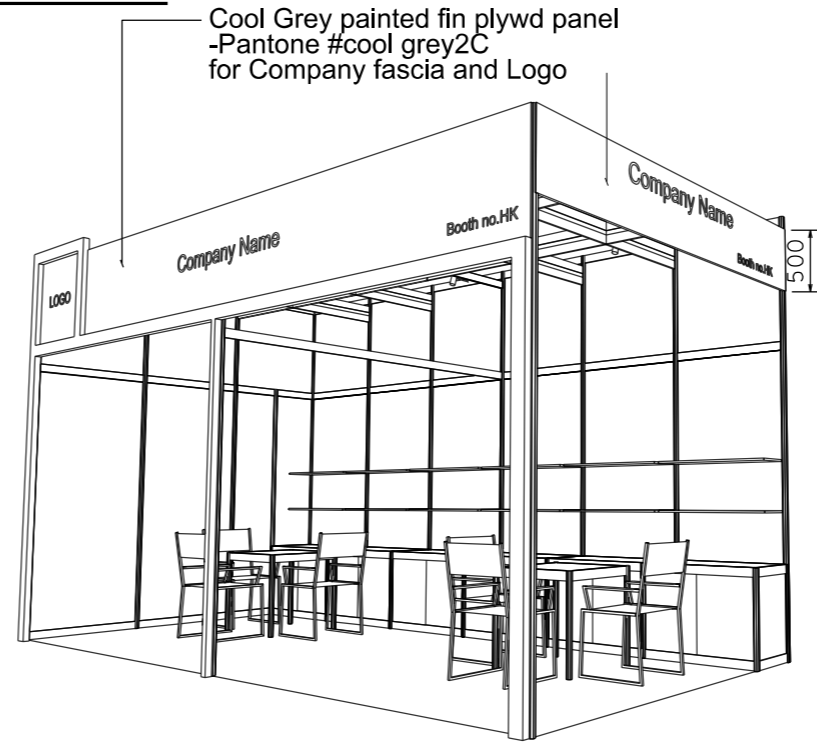


Premium Booth 6mW x 3mD Right Corner Booth

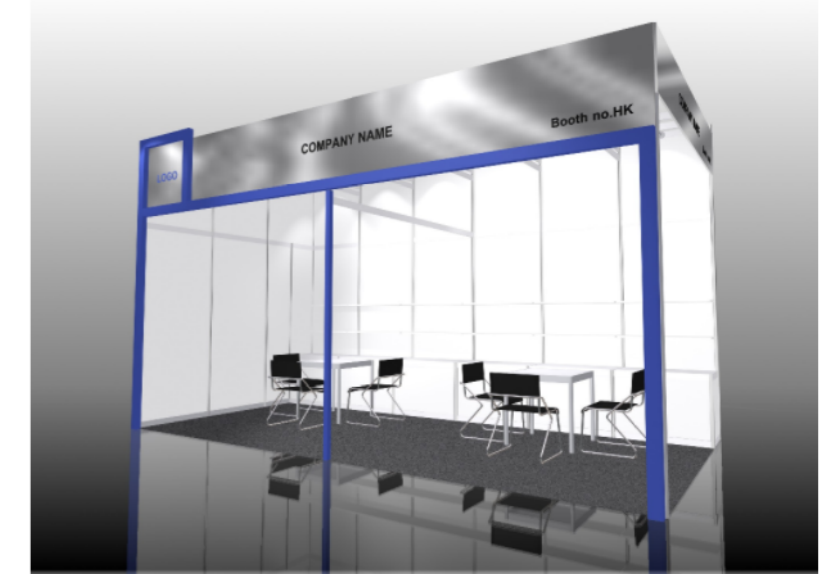
LT-A-18-R Cnr
6mW x 3mD x 3.5mH



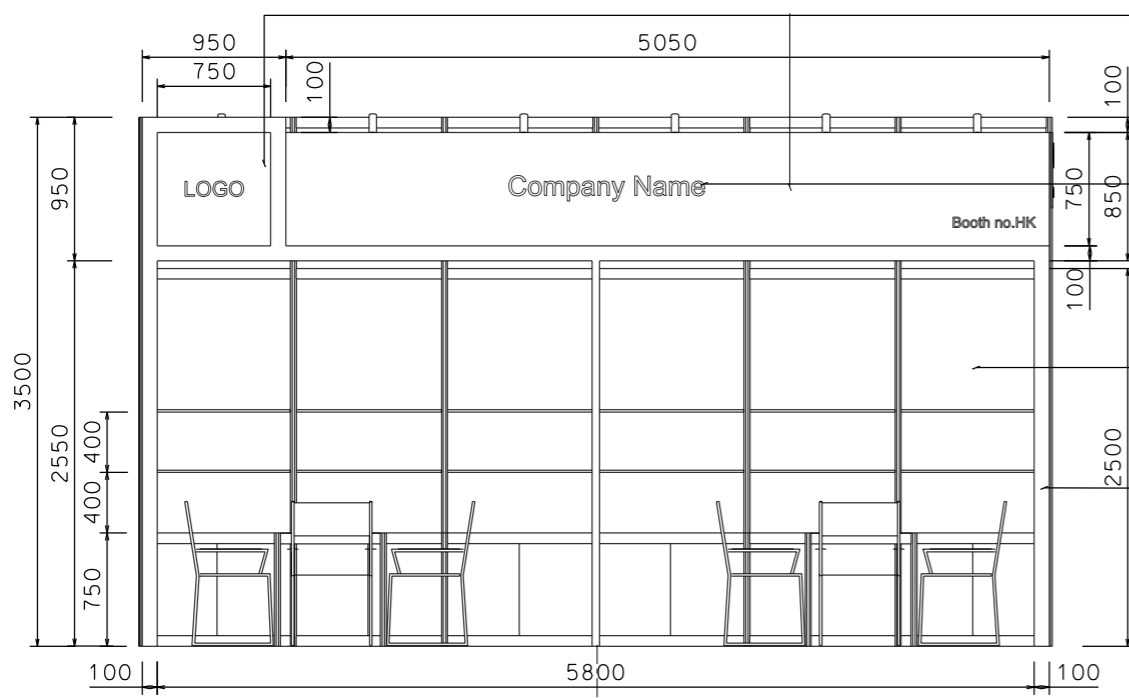
PLAN



PERSPECTIVE N.T.S



COLOUR PERSPECTIVE N.T.S



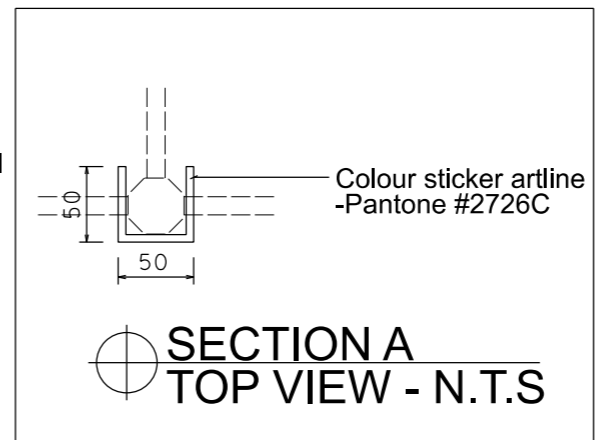
FRONT ELEVATION

Cool Grey painted fin plywd panel
-Pantone #cool grey2C
for Company fascia and Logo

Company name letters in black
Respect M-3160

3.5mH system panel

50mm THK wooden
framework
with purple-blue
spray paint finished
Pantone # 2726C



SECTION A
TOP VIEW - N.T.S

BOOTH SPECIFICATION		QTY
	Lockable cabinet (1mL x 0.5mD x 0.75mH)	6
	Wooden shelf (flat) (1mL x 0.3mD)	12
	Square meeting table (0.7m X0.7m x 0.75mH)	2
	Black leather chair	6
	Longarmed spotlight w/13 watt LED lamp (yellow) set at 3.5mH	6
	800w Square pin power socket	6
	Ceiling grid (175mmH) set at 3.4mH	27m

FILE PATH - L:\Local Fair Premium Booth 2011\LT\13W Lamp\LT-A layout\LT-A-2d.layout_2012.dgn

	NOTES UNLESS OTHERWISE SPECIFIED ALL DIMENSIONS ARE IN MM.	REVISION 19/10/09 23/02/2010 25/02/2010 13/12/2011 12-07-2019	DATE: 12-07-2019	TITLE Premium Booth LT-A-18 R Corner	PROJECT PREMIUM BOOTH 6m x 3m R Corner DATE: XXXXXXXX	SHEET LT-A02a
			SCALE: 1 : 50 (A3)			